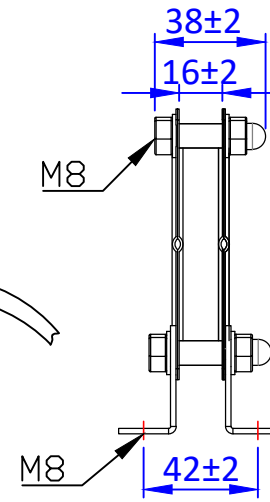
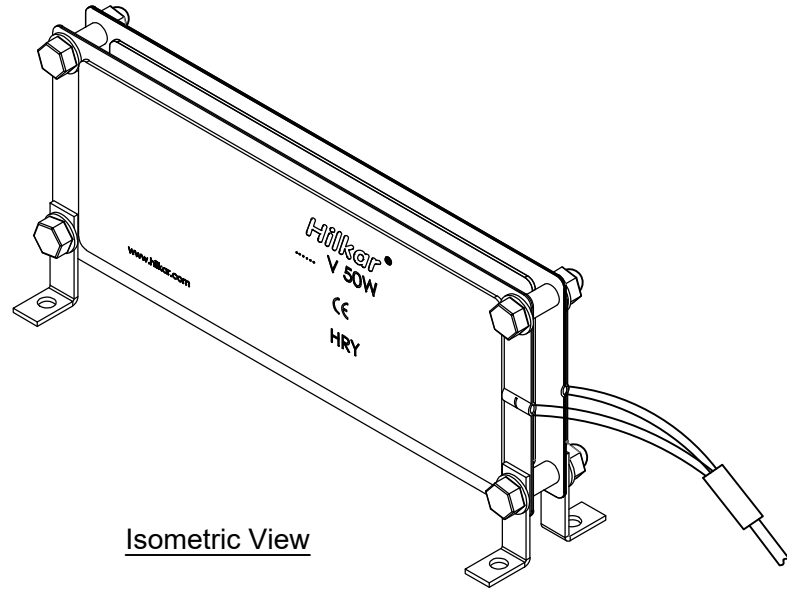


Front View

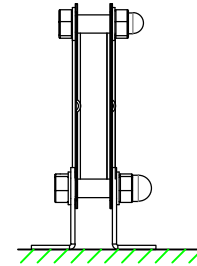


Side View

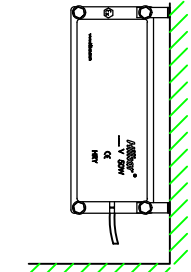


Isometric View

Recommended Mounting Methods



Horizontal Mounting



Vertical Mounting

Technical Data

Operating Voltage (Un)	: 24 - 277 V AC / DC
Maximum Voltage (Um)	: 1,1 x Un
Rated Power (Pn)	: 50 W
Rated Current (In)	: 0,18 - 2,08 A
Heater Frame	: Stainless Steel
Connection	: 3x0,75 mm ² silicone cable
Mounting	: Screw mounted
Arrangement	: Horizontal or Vertical
Protection Degree	: IP 67
ATEX Code	: Ex II 2G Ex eb II T3 Gb
Certificate Nr	: IEP 15 ATEX 0338

COPYRIGHT
 Sampling Sharing Copying
 CRIMINAL
 Dök.No: 1200.F.001 Rev00

Manufacturer (Üretici)
Hilkar[®]
 www.hilkar.com

Rev.No.) Rev.Nr.	(Revizyon Tarihi) Revision Date	(Tasarlayan) Designed By	(Kontrol Eden) Checked By	(Onaylayan) Approved By
-	-	-	-	-
03	20.10.2025	A.L.	B.I.	S.C.
02	16.10.2025	A.L.	B.I.	S.C.
01	25.12.2020	Z.H.	M.B.	S.C.
00	24.03.2015	K.A.	S.E.	S.C.

Product (Ürün)	50 W 24 - 277 V	Scale (Ölçek)	-
	ANTI-CONDENSATION HEATER	Measuring Unit (Ölçü Birimi)	mm
Title (Başlık)	TECHNICAL DRAWING	Sheet (Sayfa)	1/1
Drawing Nr (Çizim No)	HRY.30.Ex-50	Revision (Revizyon)	01